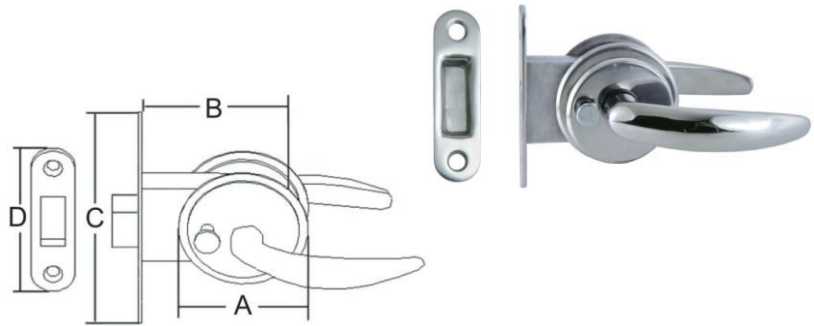


GM-MPDL Stainless Steel 316 Mag Privacy Door Latch

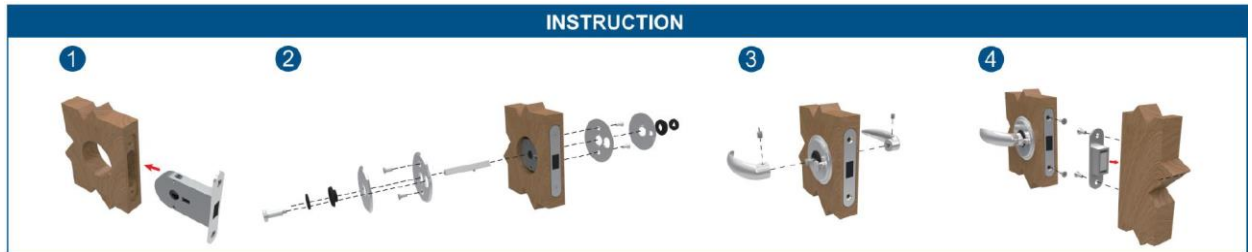
Features

- Encapsulated magnet for marine use
- Operates more quietly than conventional spring latches as the latch is held closed by magnetic force
- Anti-rattle design
- Can be unlocked from the outside in an emergency by using a pin
- Uses screw size #8



Material

- Stainless steel 316



Part No.	A	B	C	D	Door Size
GM-MPDL-A107585	62	71.5	93	70	19.05 ~ 25.4
GM-MPDL-A107586					28.6 ~ 34.9

GM-PDL Privacy Door Latch

Features

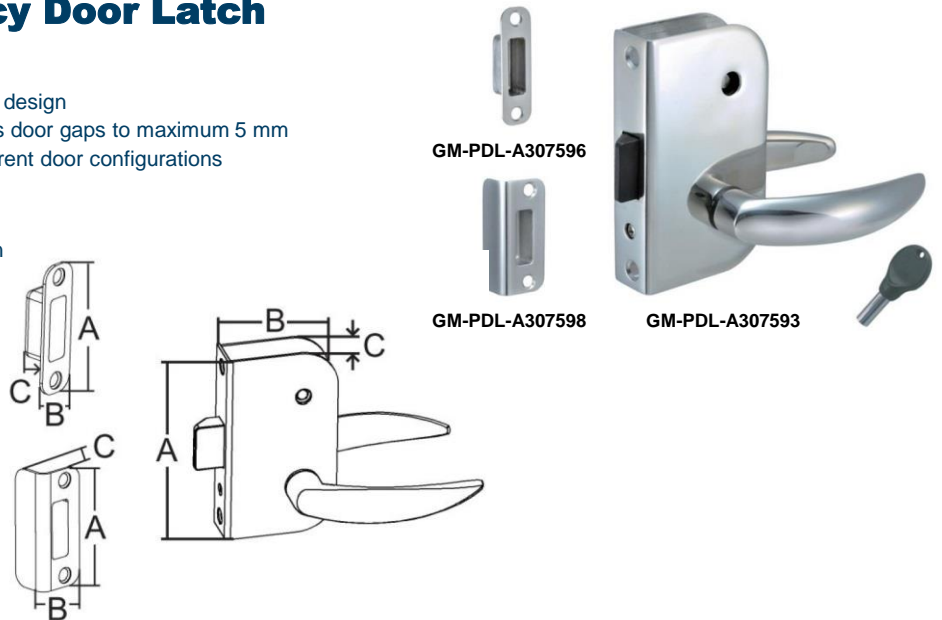
- Lever handle with key lock design
- Adjustable slide fits various door gaps to maximum 5 mm
- Two styles of strike fit different door configurations

Material

- Stainless steel 316 & nylon

Notes

- Uses screw size #8
- GM-PDL-A307596 and GM-PDL-A307598 are sold separately



Part No.	Model	A	B	C
GM-PDL-A307591	Left	100	57.5	17 ~ 22
GM-PDL-A307593	Right			
GM-PDL-A307596	Flat Strike	62	19	13.5
GM-PDL-A307598	90° Strike		25	18.5